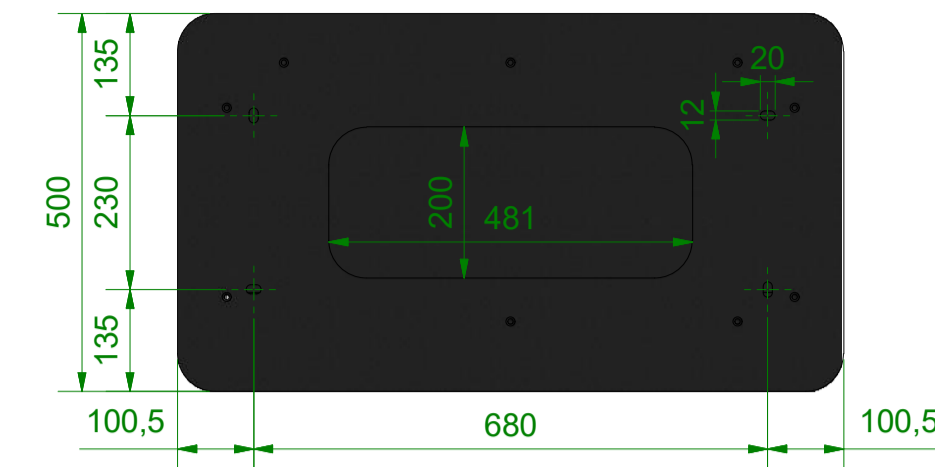
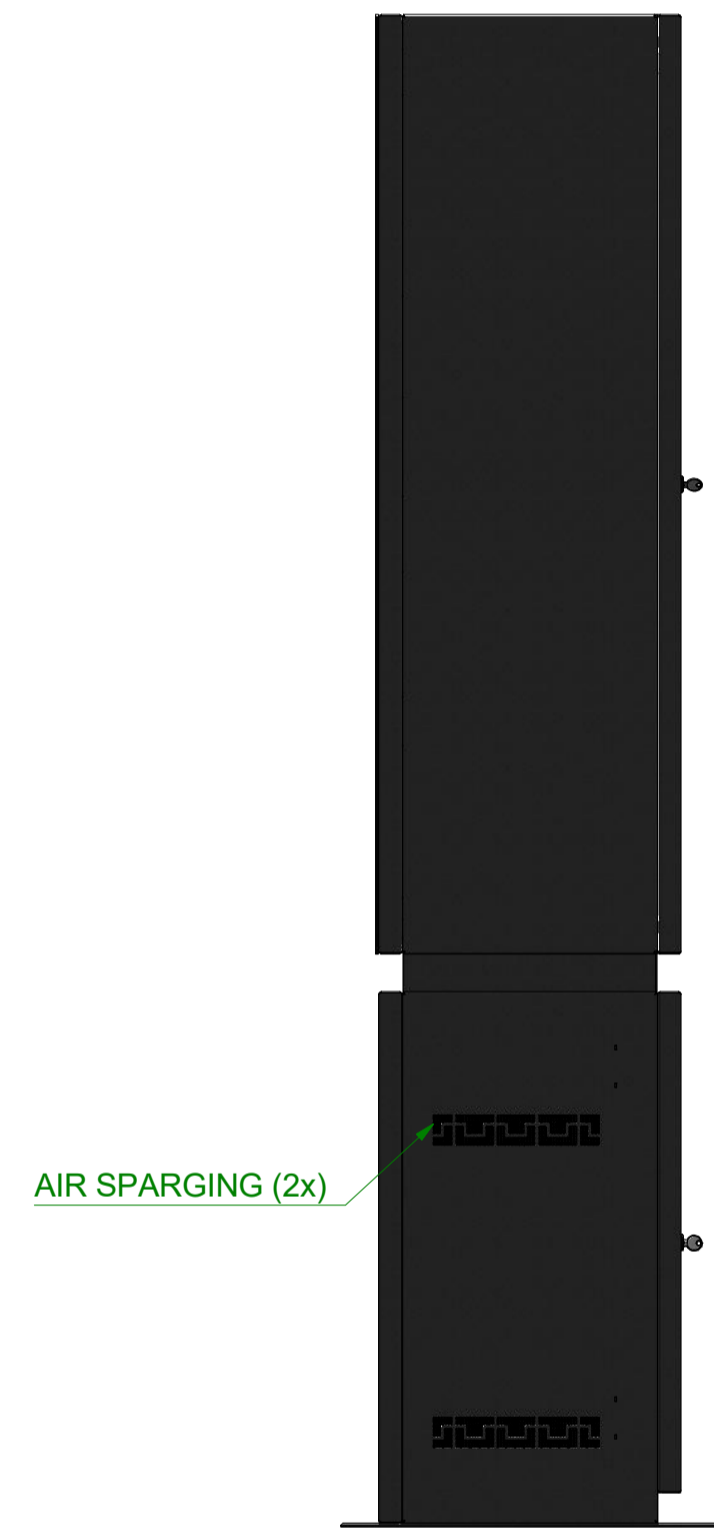


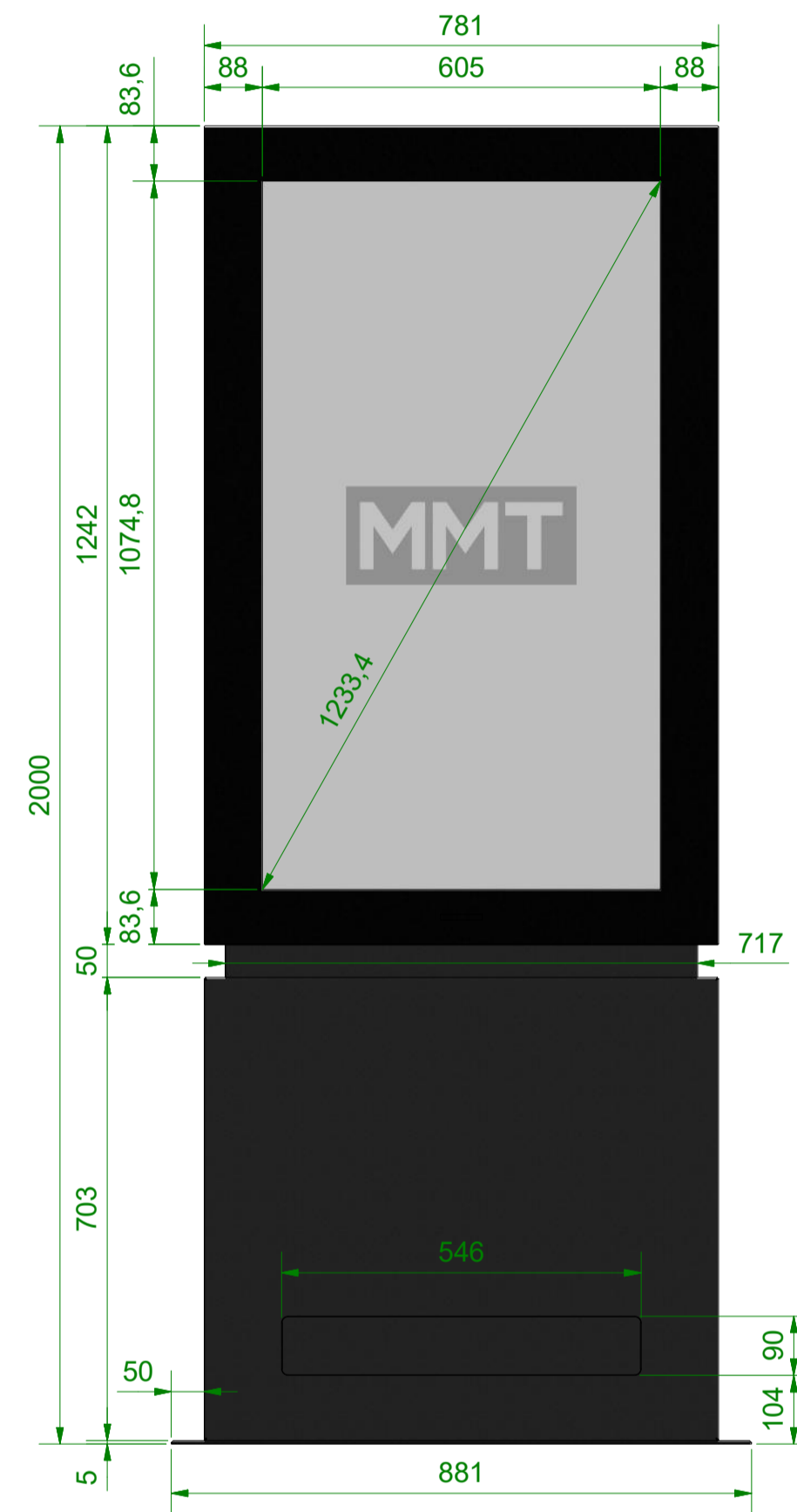
Bottom View 1:10



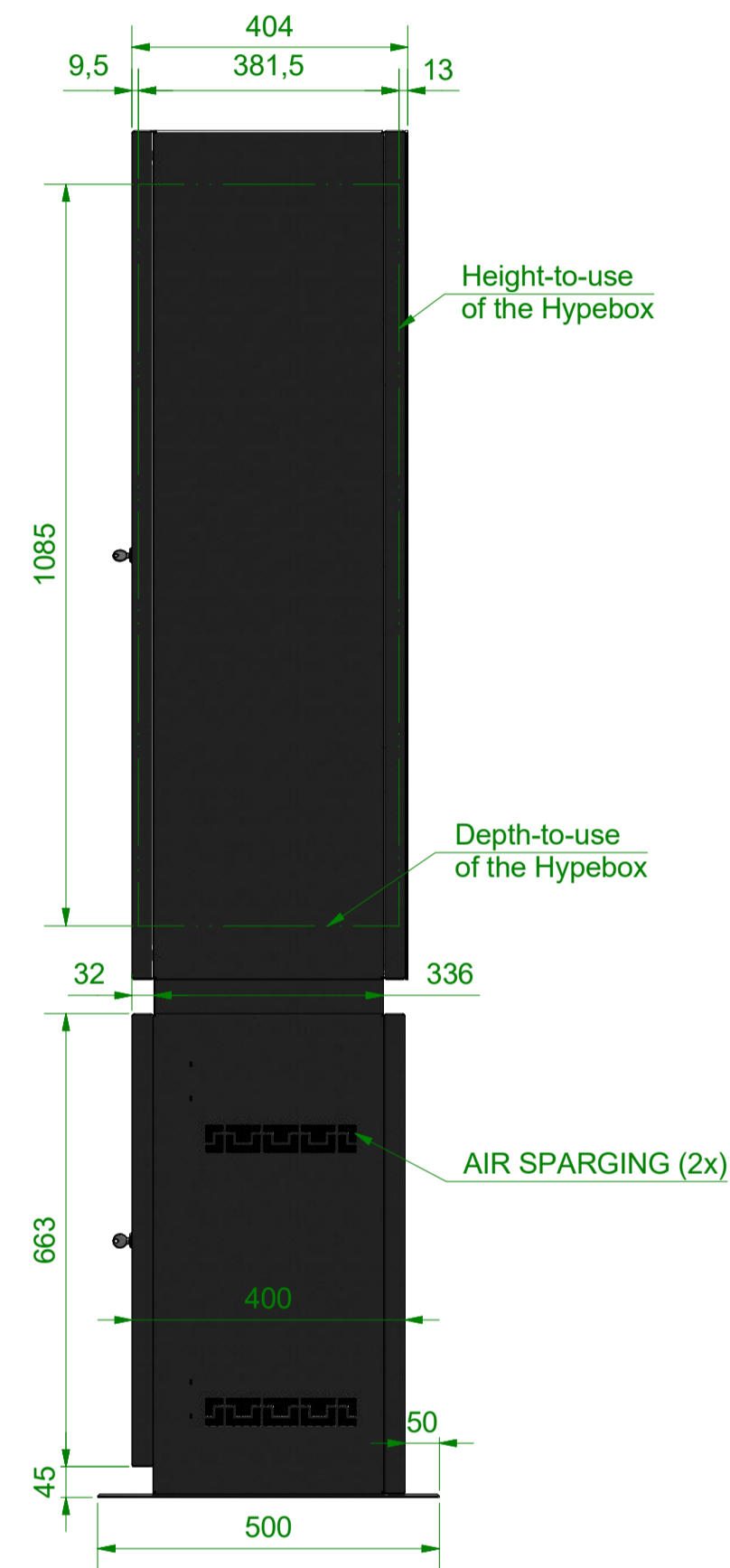
Righthand View 1:10



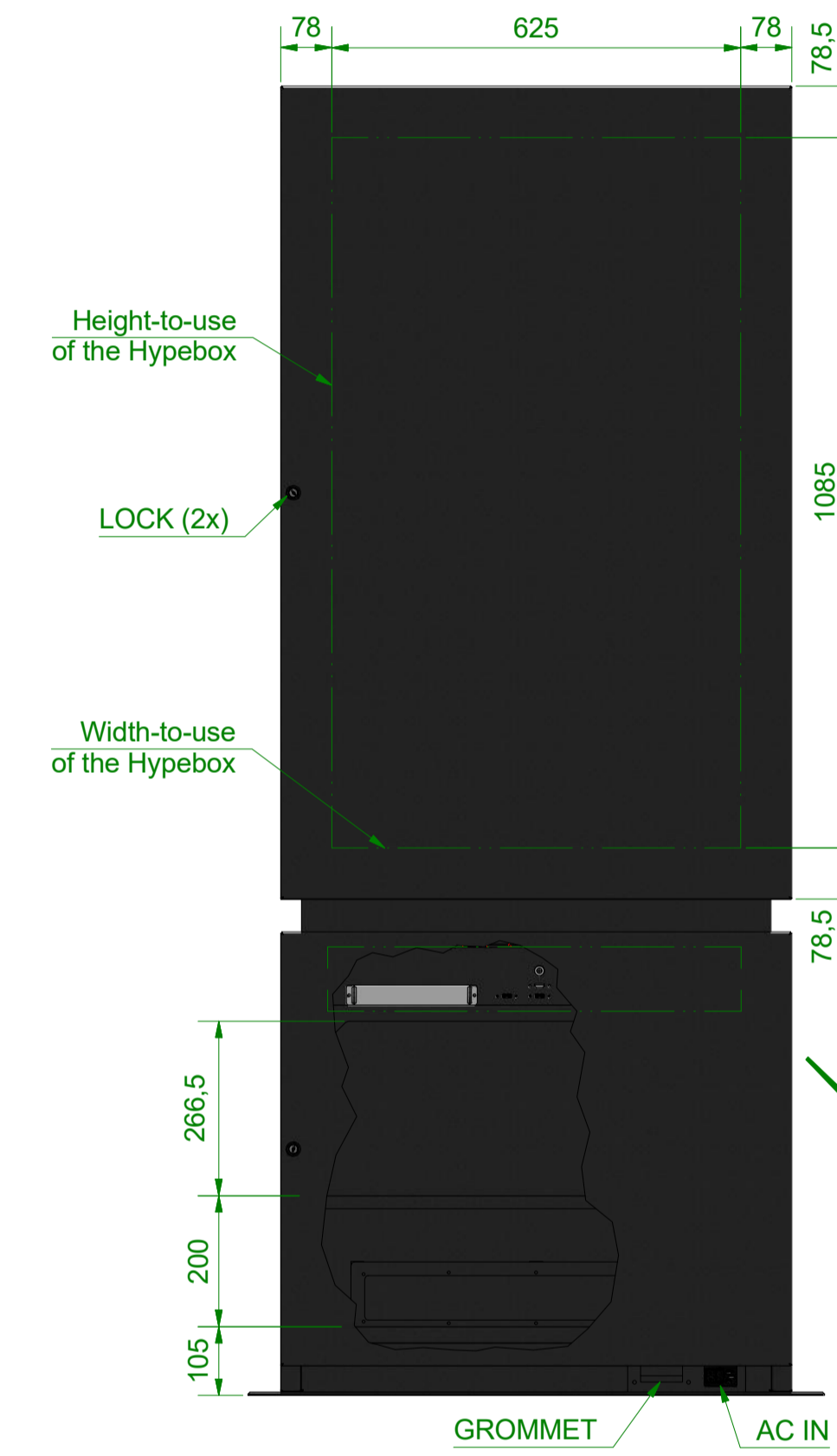
Front View 1:10



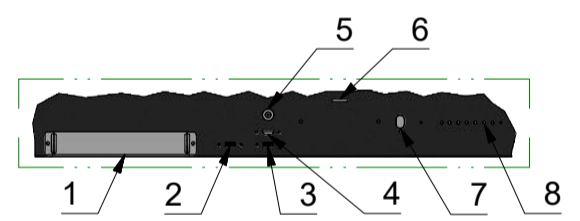
Lefthand View 1:10



Back View 1:10



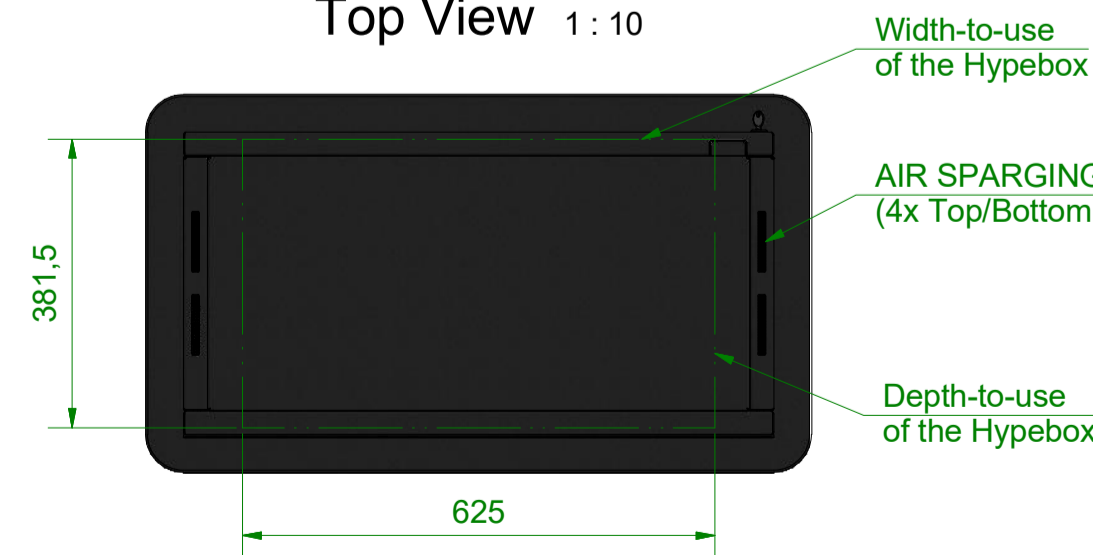
item	designation
1	OPS
2	USB
3	USB-Touch
4	HDMI
5	AUDIO
6	STATUS DEVICE
7	BUTTON CHANGE DEVICE
8	CONTROL KEYS




Isometric View 1:20



Top View 1:10



size (inch):	49"	product / model:	Hypebox/HBT49P-S		
drawing no.:	Hypebox HBT49P-S	version:	V1.0		
The copying, distribution and utilization of this document as well as the communication of it's contents to others without expressed authorization is prohibited. Offenders will be held liable for the payment of damages. All rights reserved in the event of the grant of a patent, utility model or ornamental design registration. (DIN 34)				checked by:	D. Lange
measures without tolerances: machined DIN ISO 2768 - m non-machined DIN ISO 2768 - K thermal cut DIN EN ISO 9013 - 1 welded DIN EN ISO 13920 - B				constructed on:	09.10.2017
weight: 0 kg				drawn on:	11.01.2018
scale: 1:10				checked on:	17.01.2018
format: A1				sheet: 1 / 1	