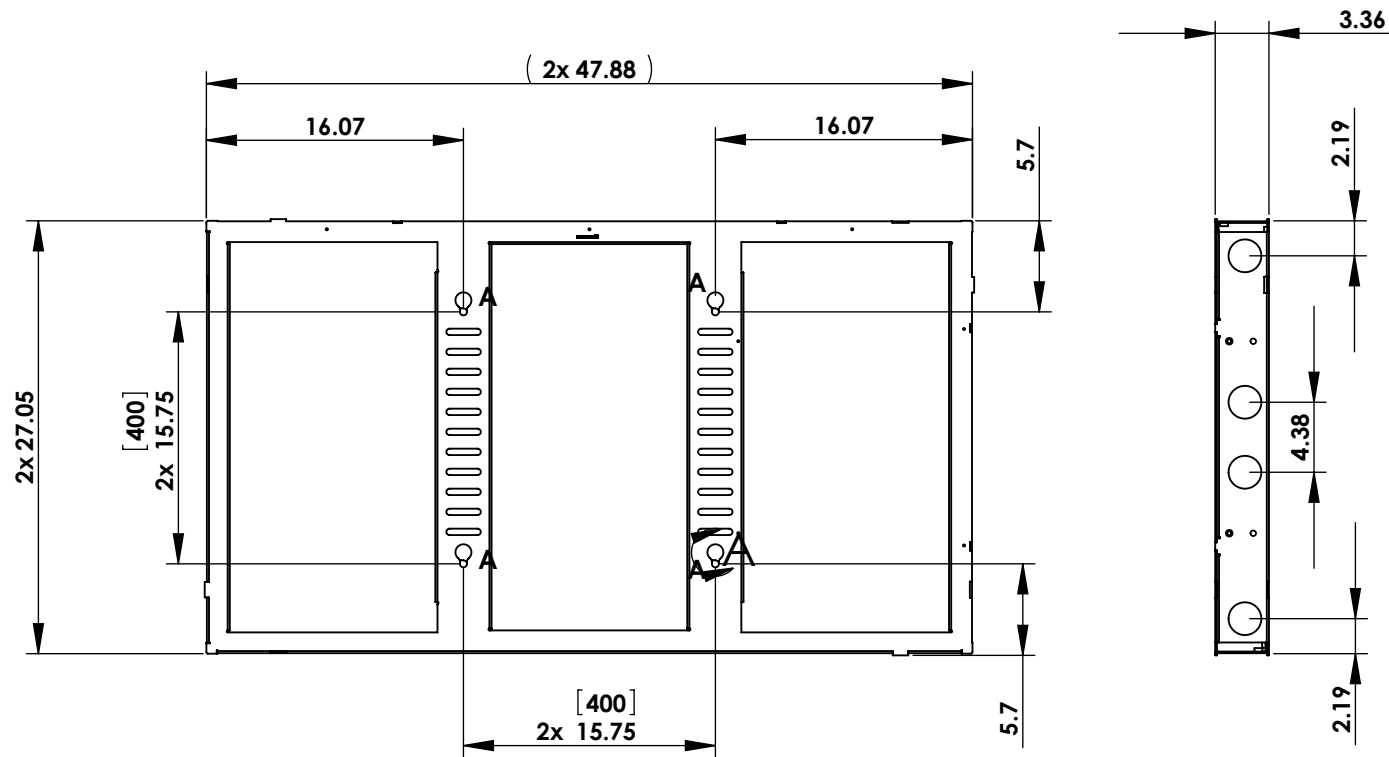
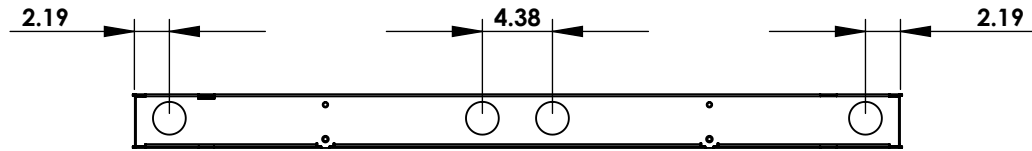
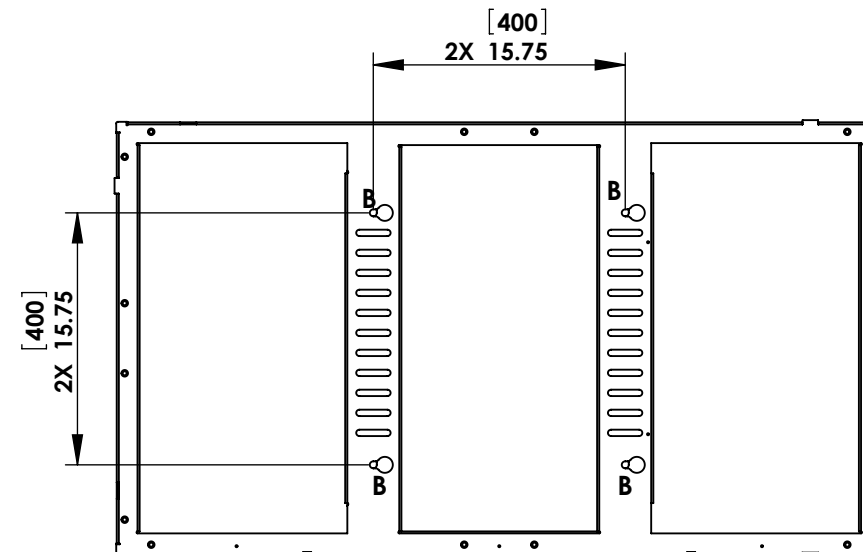


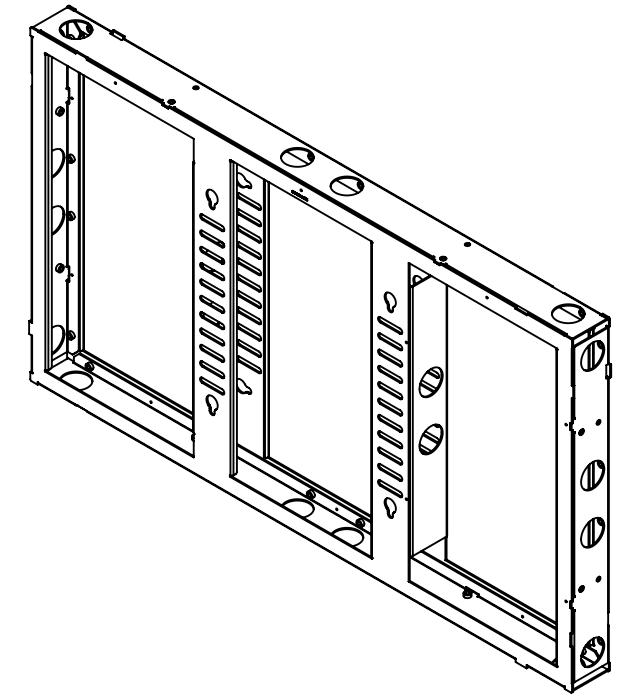
THE INFORMATION CONTAINED IN THIS DRAWING IS THE SOLE PROPERTY OF PREMIER MOUNTS DIVISION OF <PMPI> ANY REPRODUCTION IN PART OR WHOLE WITHOUT THE WRITTEN PERMISSION OF PREMIER MOUNTS DIVISION OF <PMPI> IS PROHIBITED.



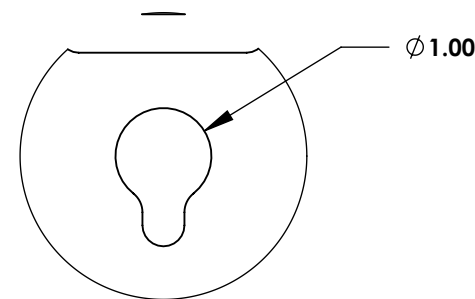
**FRONT VIEW**



**REAR VIEW**



**ISOMETRIC VIEW**



DETAIL A  
SCALE 1 : 2



3130 East Miraloma Avenue  
Anaheim, CA 92806  
P. 800.368.9700 - F. 800.832.4888

ITEM DESCRIPTION:		<b>MVW55</b>	
SIZE	DWG. NO.		
B			
SCALE:	1:1	SHEET 1 OF 1	